



Quick Installation Guide

4/8 Port SKVM USB Keyboard with Lighting

Objectives

- This guide includes basic instructions for installing the Belkin USB keyboards listed above.
- A SKVM USB keyboard can be used as a remote control to specific models of secure KVMs to switch video, mouse, audio and USB peripherals between multiple computers.
- This Manual and additional product documentation is available for online download on Belkin website. For further assistance please refer to: <http://www.belkin.com/us/Resource-Center/Cybersecurity/Secure-KVM-Switching/>.

General

- Verify that all peripherals and computers are turned OFF prior to connecting them to the product.
- Connect the USB keyboard with lighting to be shared by the KVM to the Console Port marked Keyboard.
- Certain models of Belkin SKVMs back panel is divided into sections of Console Ports and Computer Ports.
- Connect other peripherals to other console ports per the SKVM quick installation guide

1 Connect the USB keyboard to the KVM Console Port marked keyboard:

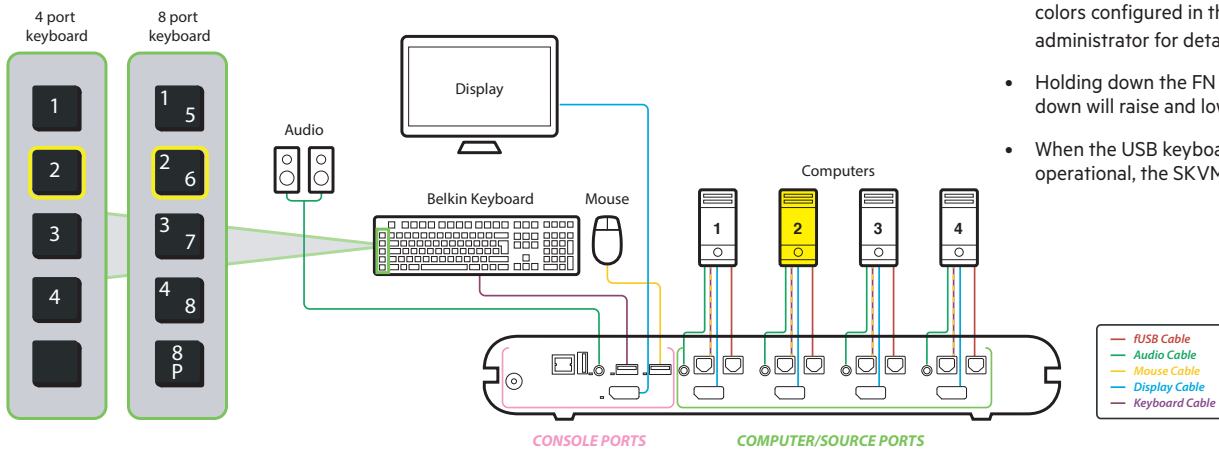
- The USB keyboard when connected to the proper model SKVM will operate as the front panel of the SKVM.
- If the USB keyboard is connected to an incorrect SKVM or PC it will function as a standard keyboard, and will not function to operate the SKVM front panel.

2 Confirm all other peripherals and PCs are connected to the SKVM per the SKVM Quick Installation Guide (QIG)

3 Using the USB Keyboard

- On the 8 port KB model, the keys marked 15, 2 6, 3 7, 4 8, and 8 P are used to select SKVM channels (of an 8 port SKVM).
- Access to ports 1-4 are when the 8 P key is not active.

- Access to ports 5-8 is accomplished when the 8 P key is active.
- On the 4 port KB model (connected to a 4 port SKVM), the keys marked 1-4 are used to select SKVM channels and the fifth key is not active.
- On some models of SKVM, the USB keyboard also functions to operate the DPP and AUD active/lock functions.
- By default all lighting on the USB keyboard is white. If the SKVM has been configured for colors, the USB keyboard will mimic the colors configured in the SKVM. Contact your administrator for details.
- Holding down the FN key and arrow up and down will raise and lower the lighting intensity.
- When the USB keyboard is connected and operational, the SKVM front panel is disabled.



Environmental

- Operating temperature is 32° to 104° F
- (0° to 40° C).
- Storage temperature is -4° to 140° F
- (-20° to 60° C).
- Humidity requirements are 0-80% relative
- humidity, non-condensing.

Power

Via USB Connection

Dimensions

TBD

This product is certified to operate with NIAP Protection Profile PSS version 4.0, devices. In addition we, Belkin International Inc, of 12045 E. Waterfront Drive, Playa Vista, CA 90094, declare under our sole responsibility that the products described in this manual comply to the declarations found at: <http://www.belkin.com/us/support-article?articleNum=289064>